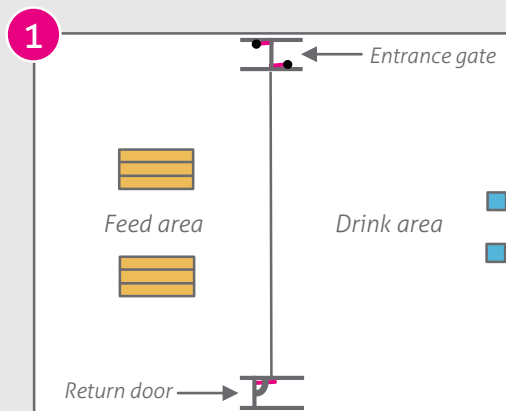
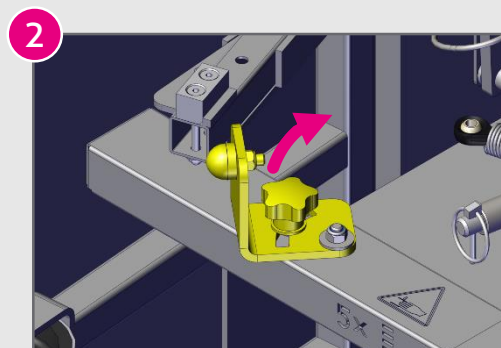


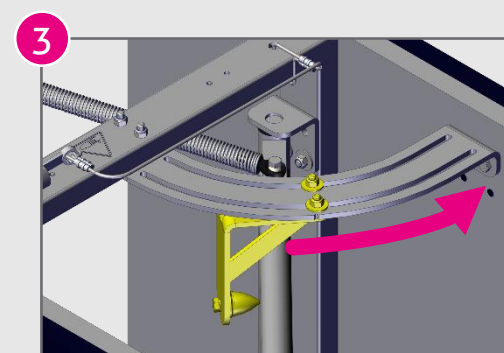
Phase 1



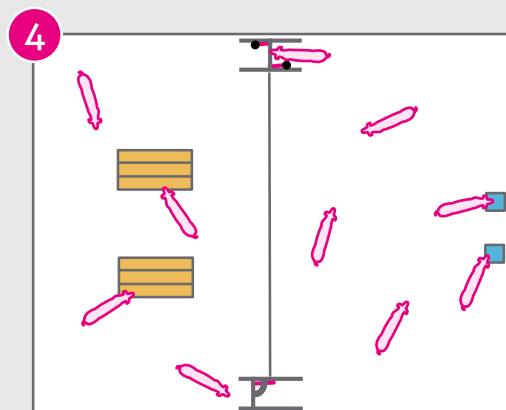
Make sure there is feed in the feed area and water in the drink area.



Open the doors of the *entrance gate* completely. Move the gate openers by turning the knob and fix them.



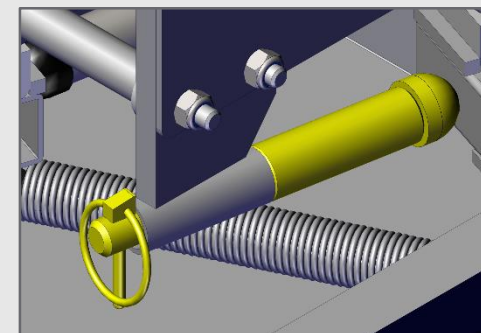
Open the return door completely. Move the handle and tighten the nut locks to fix the door.



Move the gilts to the pen and let the gilts go through the gates. Don't try to force them.

Continue with phases 2 to 5 according to the information on the next page.

Note: To position the doors of the entrance gate at 45° in phase 2, move the pins of the gate opener according to the figure alongside.



Start learning period non-inseminated gilts when they are at least 5 months old.

Door positions – Phase 1 to 5



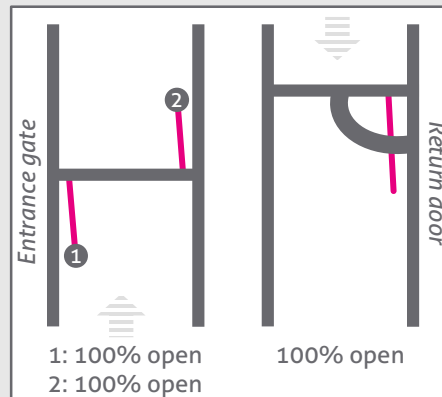
The learning period for non-inseminated gilts can start when they are *at least 5 months* old. Gilts learn to pass through the Gilt Transitioner in 5 phases during a minimum of a week:

- day 1 - phase 1
- day 2 & 3 - phase 2
- day 4 - phase 3
- day 5 - phase 4
- day 6 & 7 - phase 5

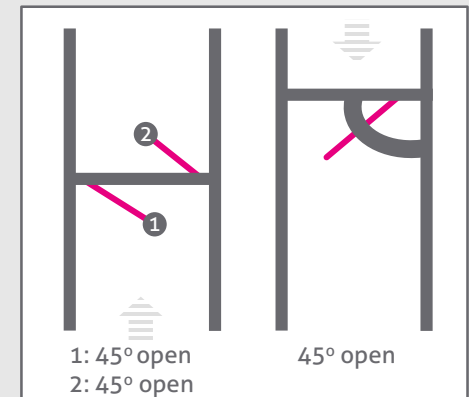
In this week the position of all doors will change: from *open* via *45°* to *closed*.

Note: If the learning period is 2 weeks, please double the amount of days for each phase.

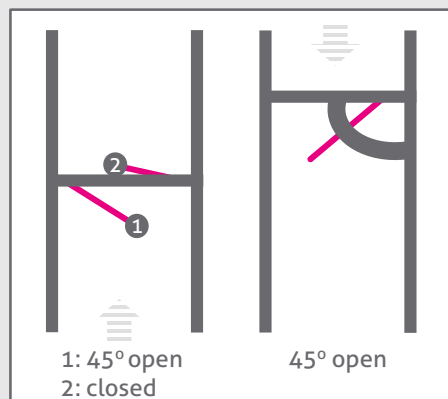
Phase 1



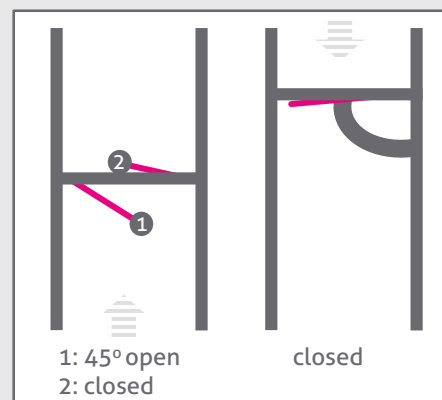
Phase 2



Phase 3



Phase 4



Phase 5

